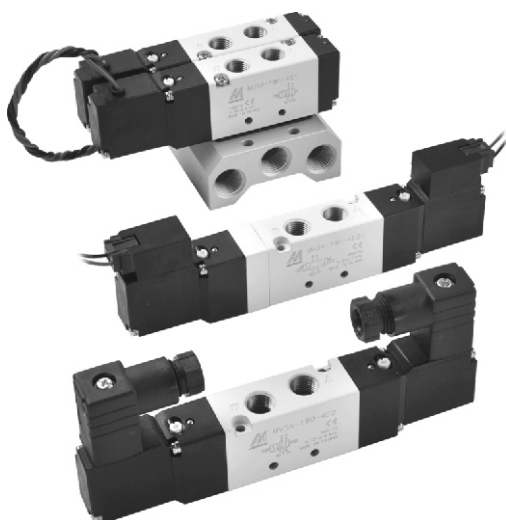


# MVSA-180 series

SOLENOID VALVE

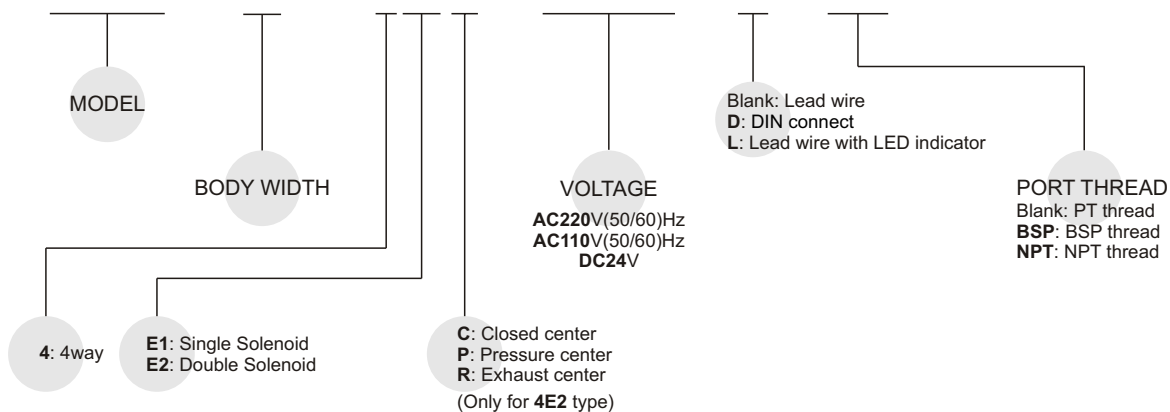


## Specification:

Model	4E1	4E2	4E2C.P.R.
Bore No.	6A		
Port size	PT 1/8		
No. of port	5		
No. of position	2	3	
Medium	Air		
Operating pressure range	1.5~8 kgf/cm <sup>2</sup>	2~7 kgf/cm <sup>2</sup>	
Proof pressure	10 kgf/cm <sup>2</sup>		
Effective orifice	12 mm <sup>2</sup>	9 mm <sup>2</sup>	
Response time	30 ms		
Ambient temperature	-5~ +50°C (No freezing)		
Voltage	AC110V, 220V (50/60)Hz, DC24V		
Power consumption	AC=2.1/1.8VA, DC=1.6W		
Available voltage range	± 10%		
Insulation class	B class		
Weight	100 g	143 g	155 g

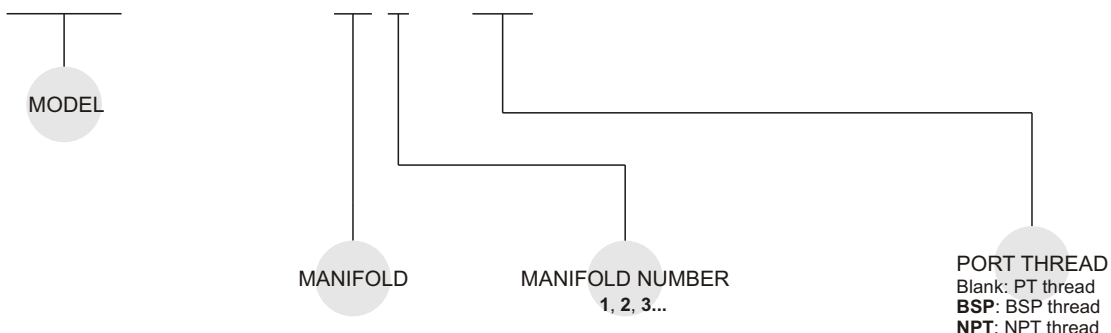
## Order example of valve:

**MVSA – 180 – 4E2C – AC110 – L – BSP**



## Order example of manifold:

**MVSA – 180 – 5B3 – BSP**

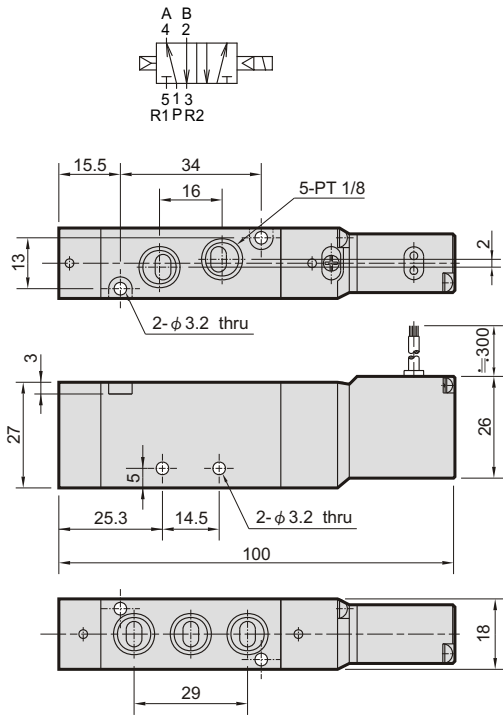


# MVSA-180 Dimensions

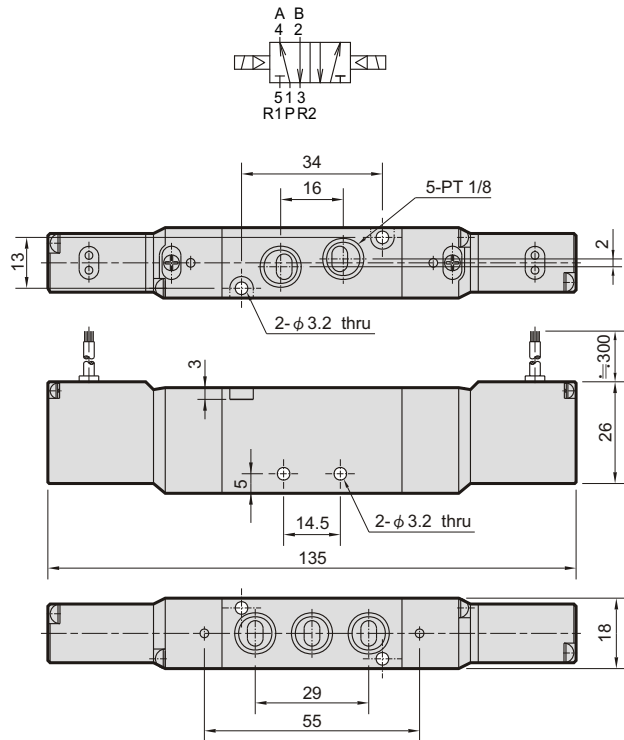
## SOLENOID VALVE



### MVSA-180-4E1

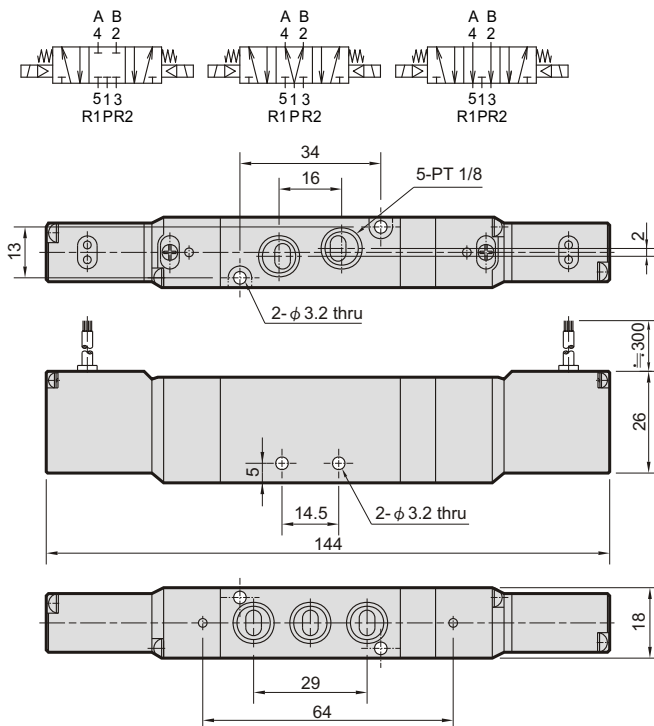


### MVSA-180-4E2

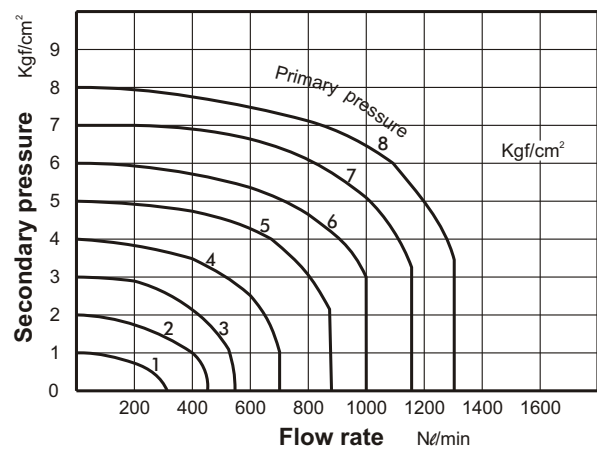


### MVSA-180-4E2C.PR

MVSA-180-4E2C MVSA-180-4E2P MVSA-180-4E2R



### Flow features:

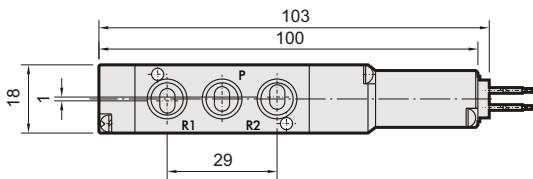
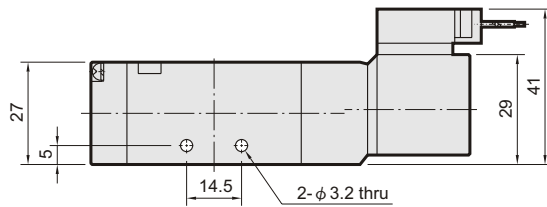
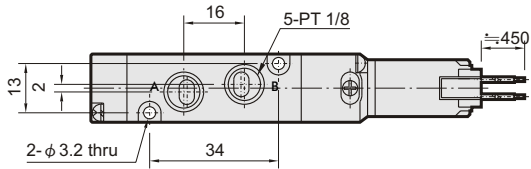
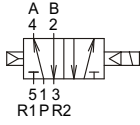


# MVSA-180 Dimensions

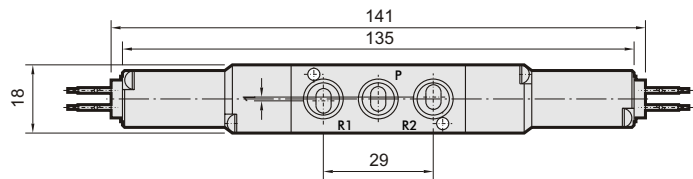
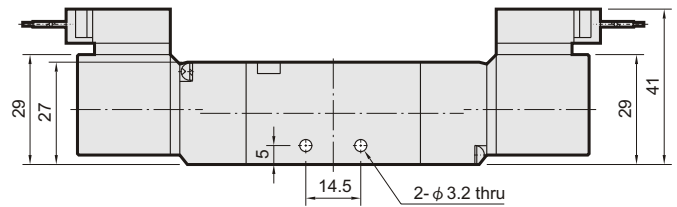
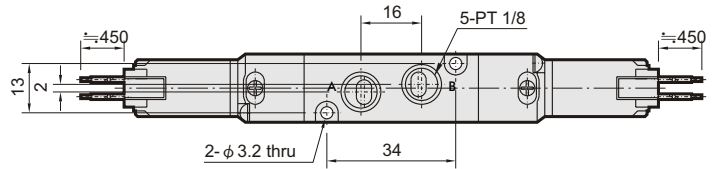
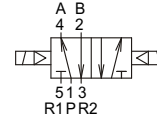
## SOLENOID VALVE



### MVSA-180-4E1-L

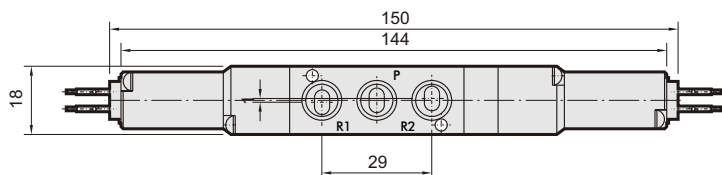
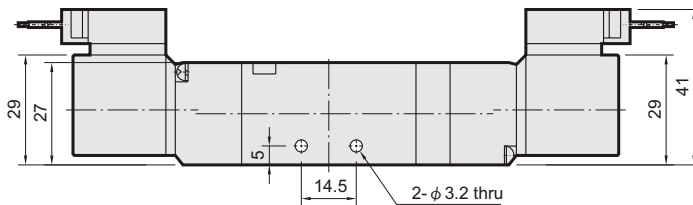
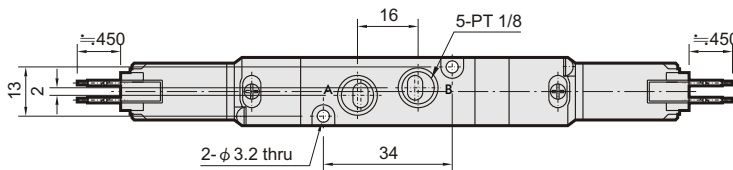
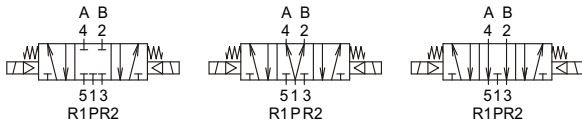


### MVSA-180-4E2-L



### MVSA-180-4E2C.PR-L

MVSA-180-4E2C-L MVSA-180-4E2P-L MVSA-180-4E2R-L

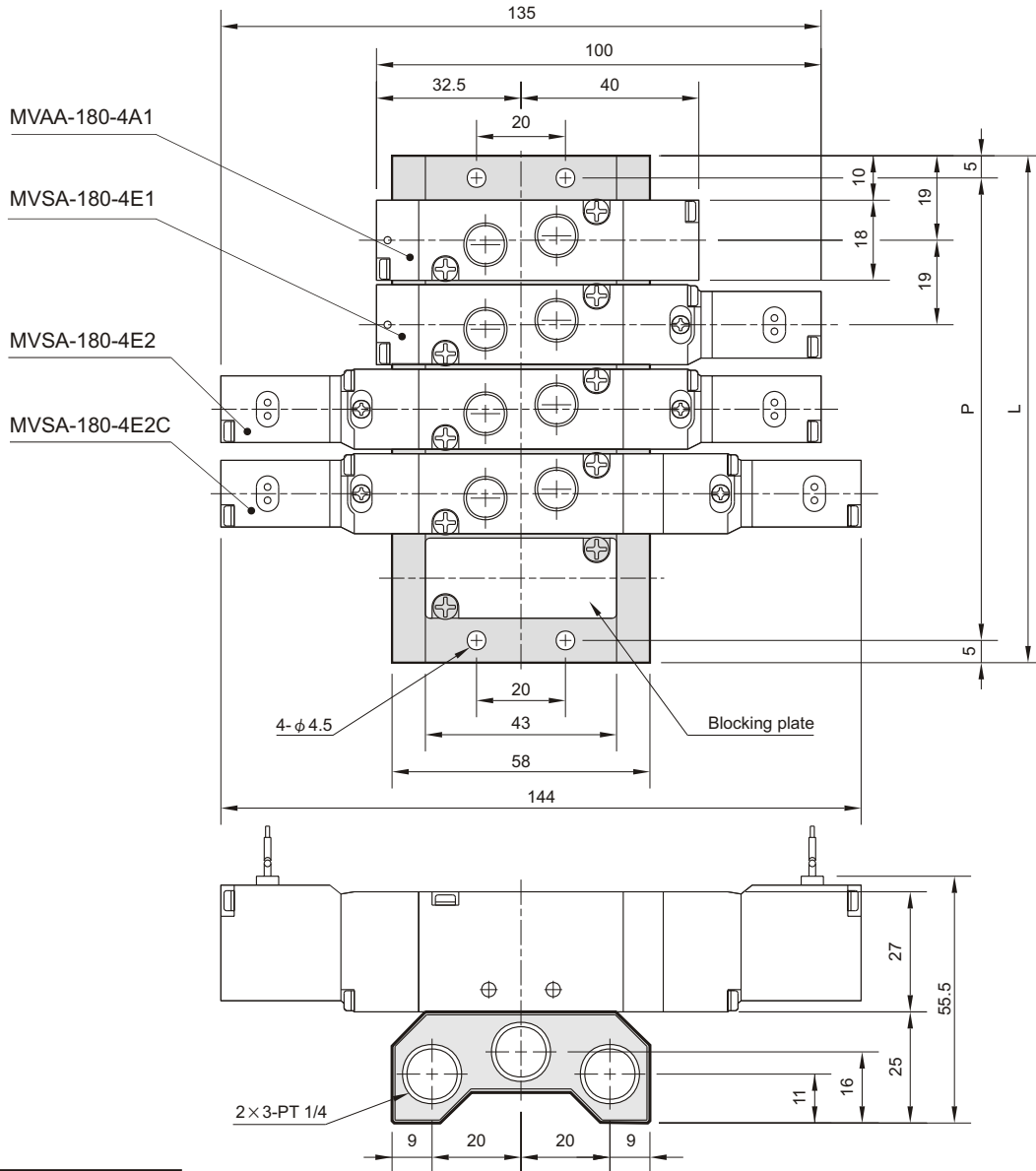


# MVSA-180 Manifold

SOLENOID VALVE



## MVSA-180-5B\*



No. of stations	P	L
2	47	57
3	66	76
4	85	95
5	104	114
6	123	133
7	142	152
8	161	171
9	180	190
10	199	209