

MVHB-300 series

HAND LEVER VALVE

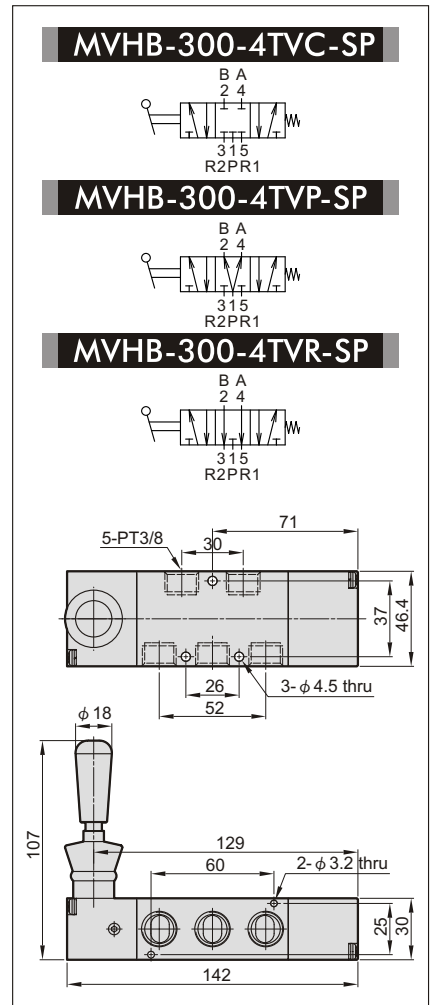
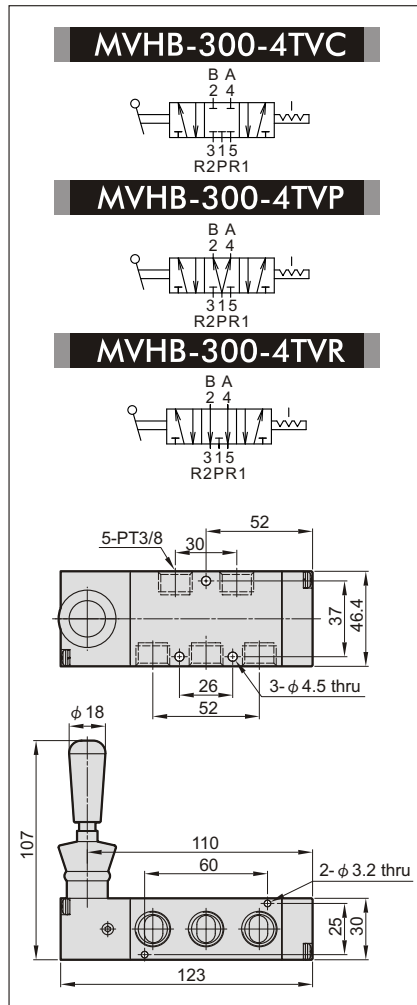
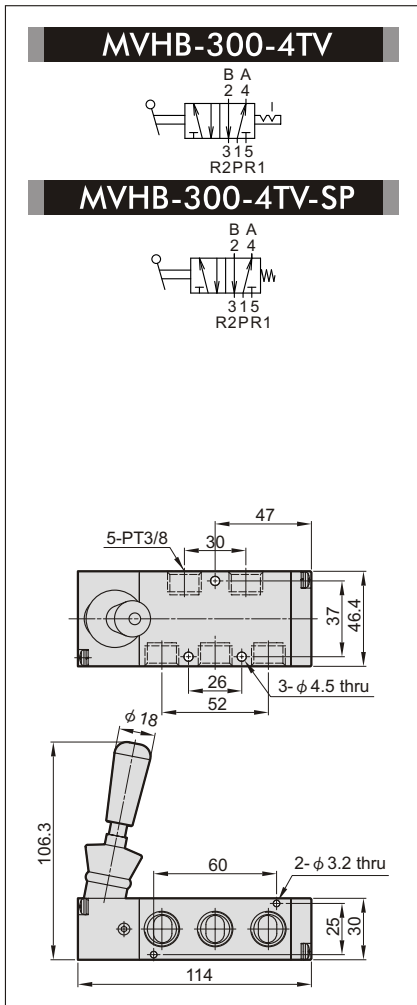
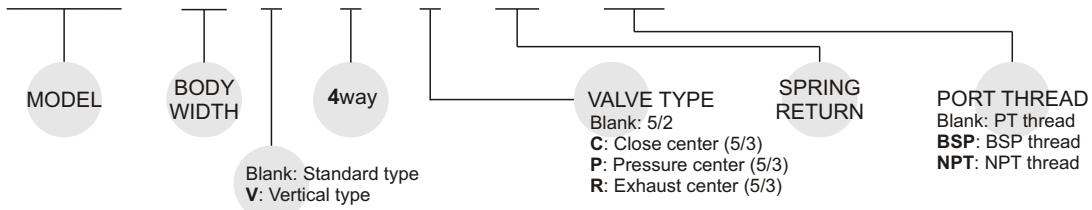


Specification:

Model	MVHB-300(V)-4TV MVHB-300(V)-4TV-SP	MVHB-300(V)-4TV* MVHB-300(V)-4TV*-SP
Bore No.	10A	
Port size	PT 3/8	
No. of port	5	
No. of position	2	3
Medium	Air	
Operating pressure range	0~9.9 kgf/cm ²	
Effective orifice	34 mm ²	
Ambient temperature	-5~+60°C (No freezing)	
Weight	438 g	487 g

Order example:

MVHB - 300V - 4TVC - SP - BSP

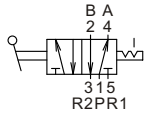


MVHB-300 Dimensions

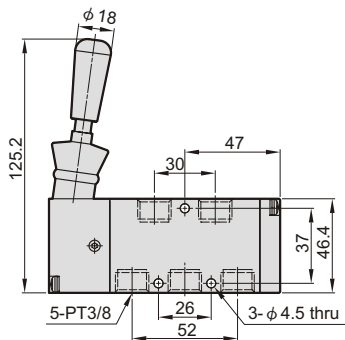
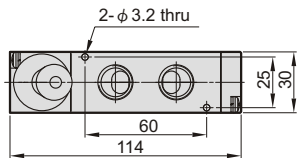
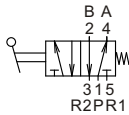
HAND LEVER VALVE



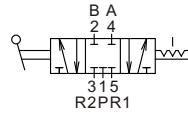
MVHB-300V-4TV



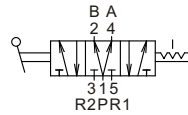
MVHB-300V-4TV-SP



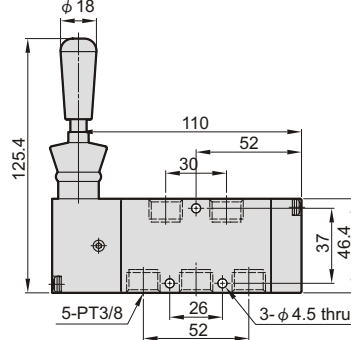
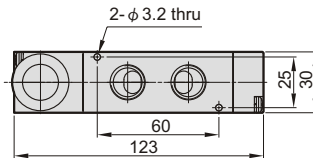
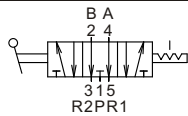
MVHB-300V-4TVC



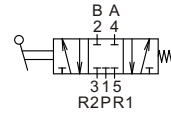
MVHB-300V-4TVP



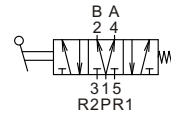
MVHB-300V-4TVR



MVHB-300V-4TVC-SP



MVHB-300V-4TVP-SP



MVHB-300V-4TVR-SP

