
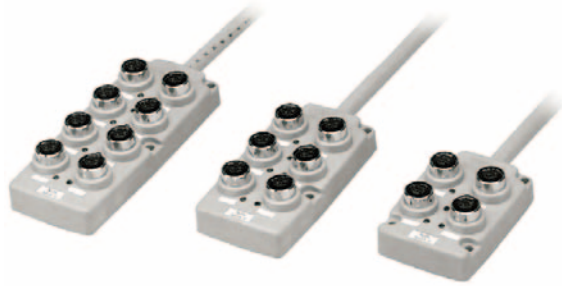


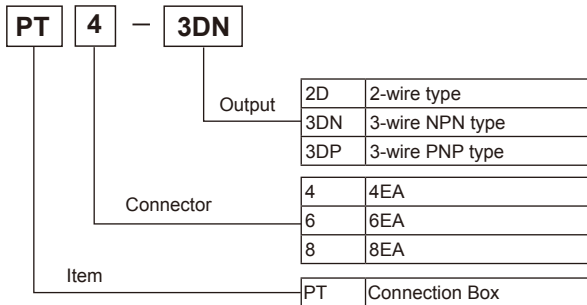
■ Features

- Red LED status indication
- Allows to drive multiple sensors by single power
- Realization of convenience for wiring or power line
- Waterproof structure IP67(IEC standard) with waterproof cover, (waterproof structure IP66 with protection cover)



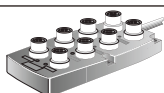
 Please read "Caution for your safety" in operation manual before using.



■ Ordering information



■ Type

Appearances		Model
	DC 2-wire type	PT4-2D
	DC 3-wire type	PT4-3DN PT4-3DP
	DC 2-wire type	PT6-2D
	DC 3-wire type	PT6-3DN PT6-3DP
	DC 2-wire type	PT8-2D
	DC 3-wire type	PT8-3DN PT8-3DP

■ Specifications

Model	PT4-2D	PT4-3DN PT4-3DP	PT6-2D	PT6-3DN PT6-3DP	PT8-2D	PT8-3DN PT8-3DP
Power supply (Operating voltage)	12-24VDC (10-30VDC)					
Leakage current	Max. 0.5mA					
Connection life cycle	Min. 200 operations					
Cable tensile strength	10kgf(98N)/15S					
Insulation resistance	Min. 50MΩ(at 500VDC megger)					
Dielectric strength	1500VAC 50/60Hz for 1minute					
Vibration	1mm amplitude at frequency of 10 to 55Hz(for 1 min.) in each of X, Y, Z directions for 2 hours					
Shock	500m/s ² (50G) in each of X, Y, Z directions for 3 times					
Indicator	Power indicator : Green, Operation indicator : Red					
Environment	Ambient temperature -25 to 70°C, storage: -30 to 80°C					
	Ambient humidity 35 to 95%RH					
Cable	Ø9, 6-wire, Length:5m		Ø9, 8-wire, Length:5m		Ø9, 10-wire, Length:5m	
	(AWG22, Core diameter: 0.16mm(TA), Number of cores: 17, Insulator out diameter: Ø1.67mm)					
Protection※1	IP66(IEC standard)					
Material	Case: PC, General cable (gray): Polyvinyl chloride (PVC)					
Unit weight	Approx. 630g		Approx. 690g		Approx. 745g	

※1: When using a cover for waterproof(P96-M12-1, sold separately: IP67(IEC standard)

※Environment resistance is rated at no freezing or condensation.

(A) Photo electric sensor

(B) Fiber optic sensor

(C) Door/Area sensor

(D) Proximity sensor

(E) Pressure sensor

(F) Rotary encoder

(G) Connector/Socket

(H) Temp. controller

(I) SSR/ Power controller

(J) Counter

(K) Timer

(L) Panel meter

(M) Tacho/ Speed/ Pulse meter

(N) Display unit

(O) Sensor controller

(P) Switching mode power supply

(Q) Stepper motor& Driver&Controller

(R) Graphic/ Logic panel

(S) Field network device

(T) Software

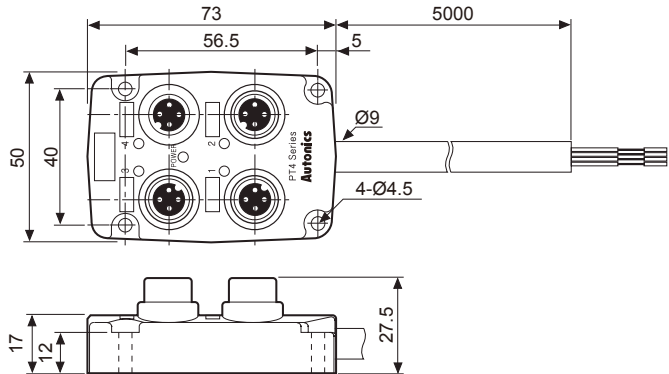
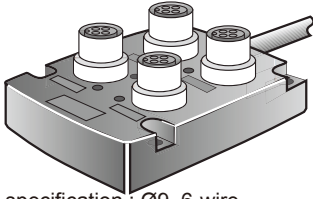
(U) Other

PT Series

■ Dimensions

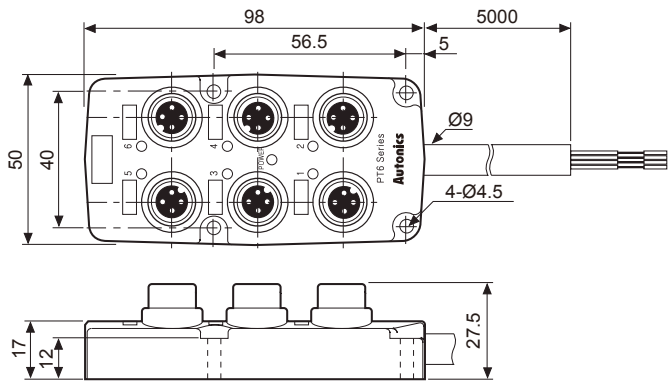
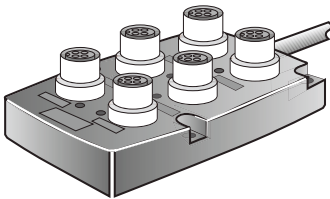
(unit:mm)

● PT4 - □□



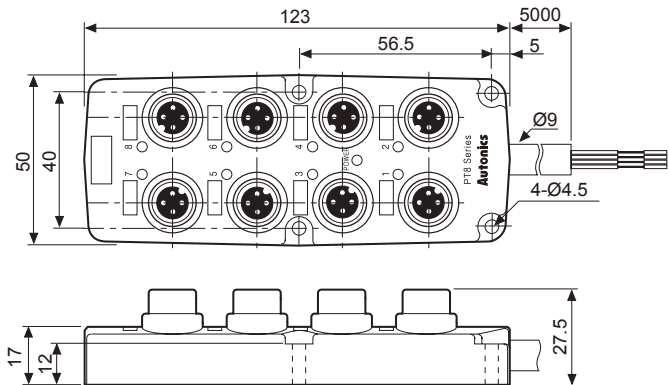
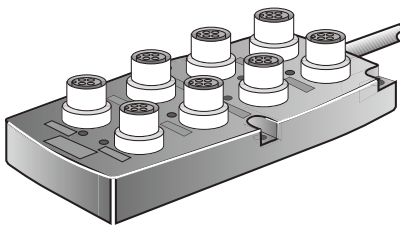
※Cable specification : Ø9, 6-wire
(Conductor cross section: 0.3mm²,
Insulator diameter: Ø1.67)

● PT6 - □□



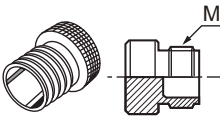
※Cable specification : Ø9, 8-wire
(Conductor cross section: 0.3mm²,
Insulator diameter: Ø1.67)

● PT8 - □□

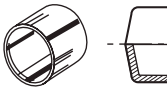


※Cable specification : Ø9, 10 cores
(Conductor cross section: 0.3mm²,
Insulator diameter: Ø1.67)

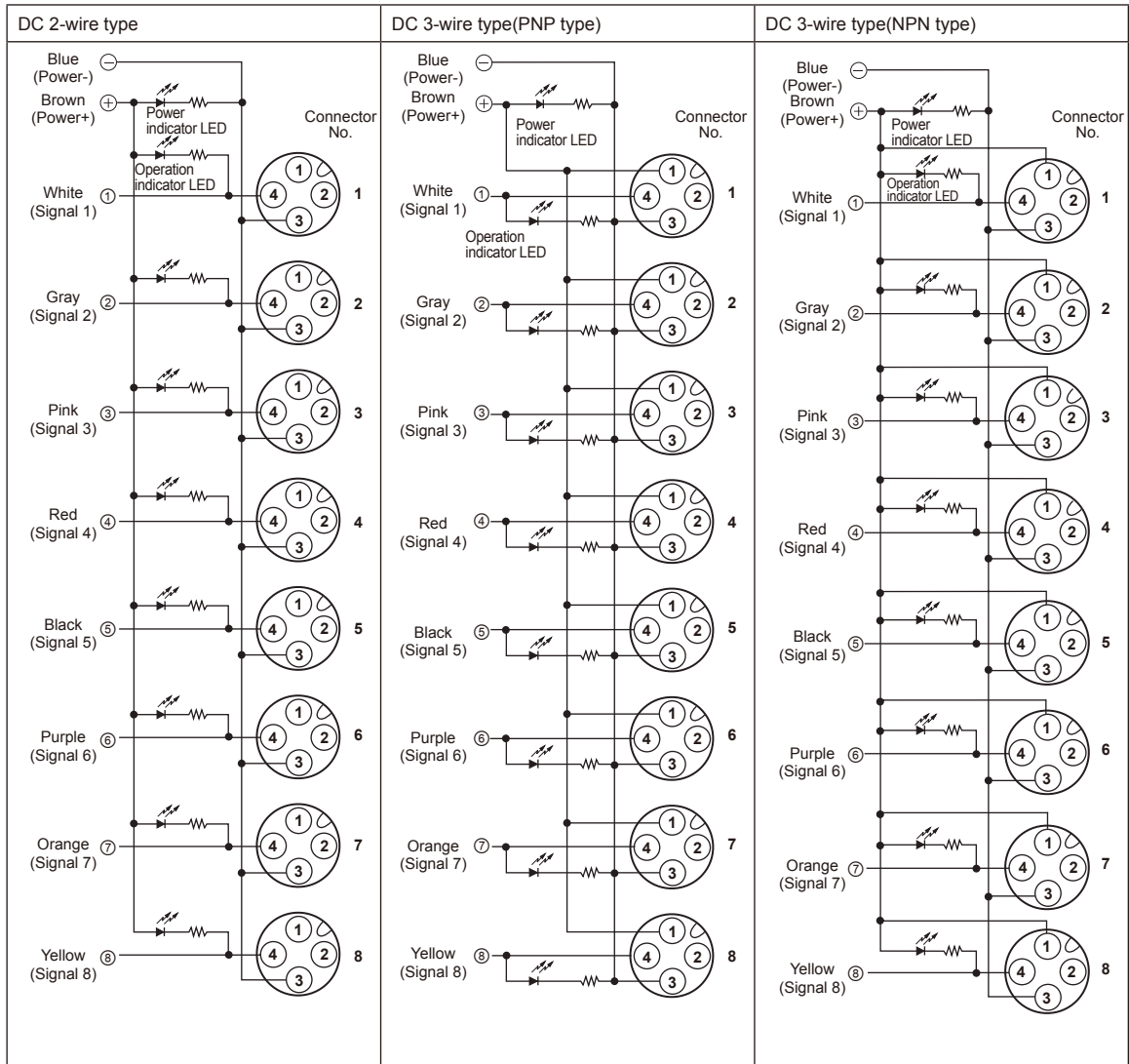
■ Waterproof cover(sold separately)

Form	Model	Applicable model
	P96-M12-1	<ul style="list-style-type: none"> ● PT4-□□□ ● PT6-□□□ ● PT8-□□□
<p>※This protection cover is used for protecting unused connection hole from water or oil etc. ※If using waterproof cover, IP67 is available. ※Please tighten it.</p>		

■ Protection cover

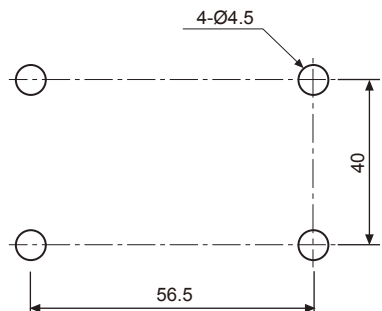
Form	Applicable model
	<ul style="list-style-type: none"> ● PT4-□□□ ● PT6-□□□ ● PT8-□□□
<p>※This protection cover is used for protecting unused connection hole from dust or particle etc. (IP67 is not available) ※Please push it into hole.</p>	

■ Connections



- (A) Photo electric sensor
- (B) Fiber optic sensor
- (C) Door/Area sensor
- (D) Proximity sensor
- (E) Pressure sensor
- (F) Rotary encoder
- (G) Connector/Socket**
- (H) Temp. controller
- (I) SSR/ Power controller
- (J) Counter
- (K) Timer
- (L) Panel meter
- (M) Tacho/ Speed/ Pulse meter
- (N) Display unit
- (O) Sensor controller
- (P) Switching mode power supply
- (Q) Stepper motor& Driver&Controller
- (R) Graphic/ Logic panel
- (S) Field network device
- (T) Software
- (U) Other

■ Mounting dimensions



(unit: mm)

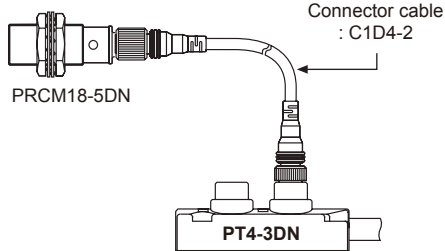
※Mounting 4 / 6 / 8 holes are same.

PT Series

■ Connections

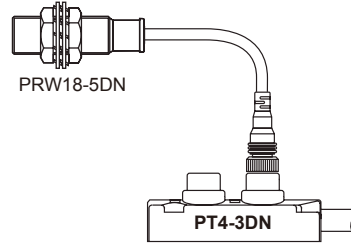
● Connector type

Connection cable should be used for connector type of proximity sensor (PRCM Series).



● Cable type

Cable type proximity sensor (PRW Series) can be connected directly but when the installation distance is longer, please use connection cable.



■ Applicable models

Connection box	Applicable proximity sensor		Connection
PT□-2D	DC 2-wire type	PRCMT12-2/4DO, DC PRCMT18-5/8DO, DC PRCMT30-10/15DO, DC	PRDCMT12-4/8DO, DC PRDCMT18-7/14DO, DC PRDCMT30-15/25DO, DC
		PRWT12-2/4DO, DC PRWT18-5/8DO, DC PRWT30-10/15DO, DC	PRDWT12-4/8DO, DC PRDWT18-7/14DO, DC PRDWT30-15/25DO, DC
PT□-3DN	DC 3-wire type (NPN type)	PRCM12-2/4DN, DN2 PRCM18-5/8DN, DN2 PRCM30-10/15DN, DN2 PRCML18-5/8DN, DN2 PRCML30-10/15DN, DN2	PRDCM12-4/8DN, DN2 PRDCM18-7/14DN, DN2 PRDCM30-15/25DN, DN2 PRDCML12-4/8DN, DN2 PRDCML18-7/14DN, DN2 PRDCML30-15/25DN, DN2
		PRW12-2/4DN, DN2 PRW18-5/8DN, DN2 PRW30-10/15DN, DN2 PRWL18-5/8DN, DN2 PRWL30-10/15DN, DN2	PRDW12-4/8DN, DN2 PRDW18-7/14DN, DN2 PRDW30-15/25DN, DN2 PRDWL12-4/8DN, DN2 PRDWL18-7/14DN, DN2 PRDWL30-15/25DN, DN2
PT□-3DP	DC 3-wire type (PNP type)	PRCM12-2/4DP, DP2 PRCM18-5/8DP, DP2 PRCM30-10/15DP, DP2 PRCML18-5/8DP, DP2 PRCML30-10/15DP, DP2	PRDCM12-4/8DP, DP2 PRDCM18-7/14DP, DP2 PRDCM30-15/25DP, DP2 PRDCML12-4/8DP, DP2 PRDCML18-7/14DP, DP2 PRDCML30-15/25DP, DP2
		PRW12-2/4DP, DP2 PRW18-5/8DP, DP2 PRW30-10/15DP, DP2 PRWL18-5/8DP, DP2 PRWL30-10/15DP, DP2	PRDW12-4/8DP, DP2 PRDW18-7/14DP, DP2 PRDW30-15/25DP, DP2 PRDWL12-4/8DP, DP2 PRDWL18-7/14DP, DP2 PRDWL30-15/25DP, DP2

※It is enable to use general cable type of proximity sensor with connection box, if plug type connector cable is used.

■ Proper usage

1. Connection box is only for DC power, do not use with AC power.
2. Be careful to use DC 2-wire and DC 3-wire type separately and NPN / PNP types are separated in DC 3-wire type.
3. Please be sure of correct wiring of power cable(Blue : -, Brown : +).
4. Green LED will not turn on when the power polarity is reversed.
5. Please connect signal line following the diagram and load must be installed when operating sensor.
6. Please check red LED when operating sensor.
7. Please use protection cover or waterproof cover(P96-M12-1) on unused connectors.

※The protection cover is attached on connection part of the box. Please be careful to keep this cover.

※Waterproof cover(P96-M12-1) is sold separately.