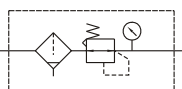


MAFR403 series With high precision digital pressure switch

AIR UNITS (F.R.UNIT)



Symbol:



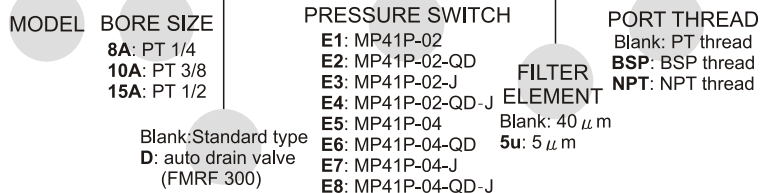
Specification:

| Model | MAFR403 | | |
|--------------------------|--|--------|--------|
| Bore No. | 8A | 10A | 15A |
| Port size | PT 1/4 | PT 3/8 | PT 1/2 |
| Medium | Air | | |
| Operating pressure range | 0~9.9kgf/cm ² (0~0.99MPa) | | |
| Test pressure | 15kgf/cm ² (1.5MPa) | | |
| Regulated pressure range | 1~8.5kgf/cm ² (0.1~0.85MPa) | | |
| Ambient temperature | -5~+60℃ (no freezing) | | |
| Filter element | Standard: 40 μm Option: 5 μm | | |
| Attachment | L-type bracket | | |
| Weight | 674 g (with 2-meter lead wire), 639 g (with male connector) | | |

※ Standard Unit contains semi-auto-drain function when operating pressure below 0.5 kgf/cm².

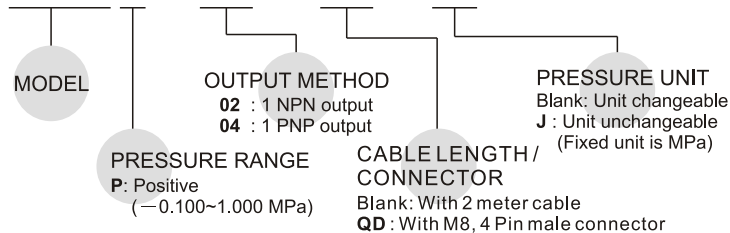
Order example (Air units):

MAFR403 - 8A - □ - E3 - □ - BSP



Pressure switch :

MP41P - 02 - QD - □

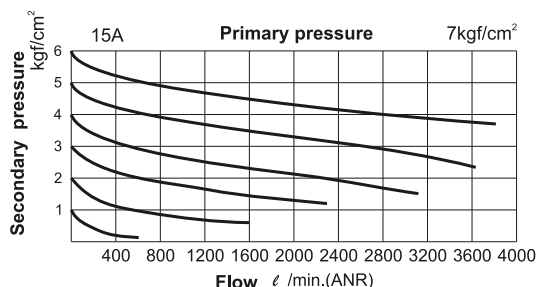
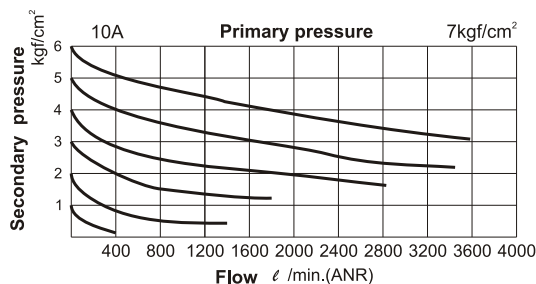
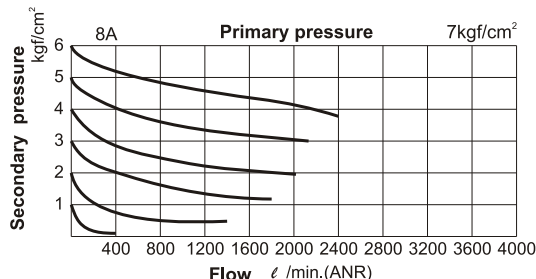


※ See MP41 series for specifications.

MP41 applicable model :

| Series | 302 | 401 | 403 |
|------------|---------|----------|---------|
| F.R.L.Unit | MACP302 | MACP401 | MACP403 |
| F.R.L.Unit | MACT302 | MACT401 | MACT403 |
| F.R.Unit | MAFR302 | MAFR401 | MAFR403 |
| R. Unit | MAR302 | MAR401 | MAR403 |
| F.R.Unit | — | MAFRF401 | — |
| F.R.Unit | — | MATFR401 | — |

Flow feature:

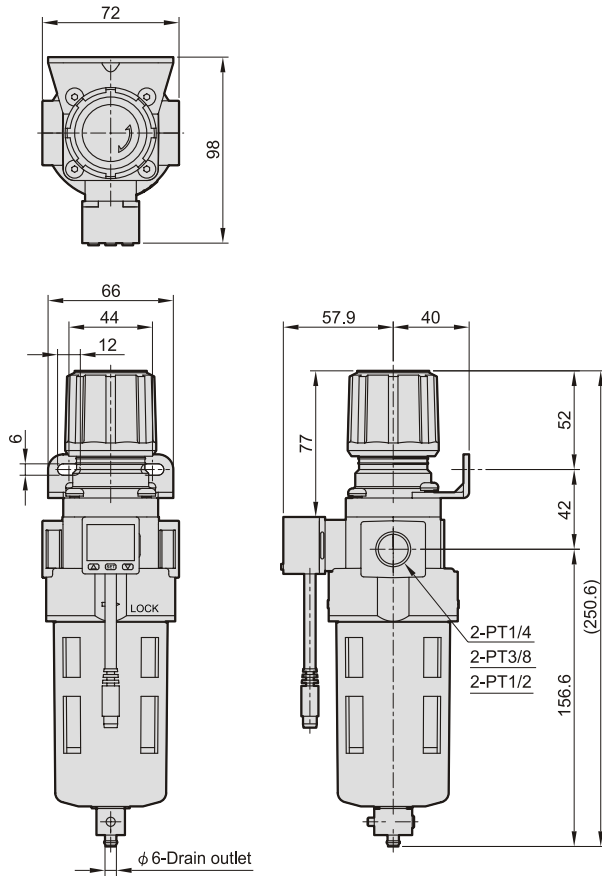


MAFR403 Dimensions

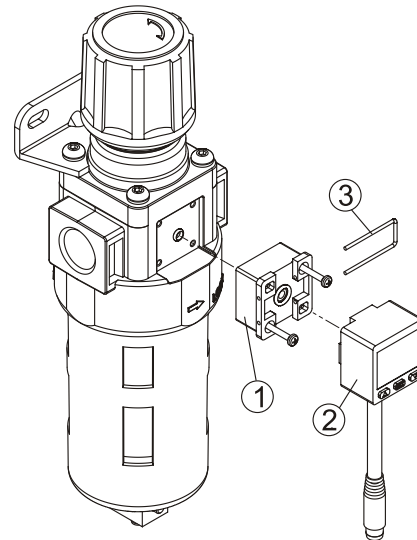
AIR UNITS (F.R.UNIT)



Dimensions:



Mounting procedures:



1. Fix the holder.
2. Assembly the digital pressure switch.
3. Button the n-ring.