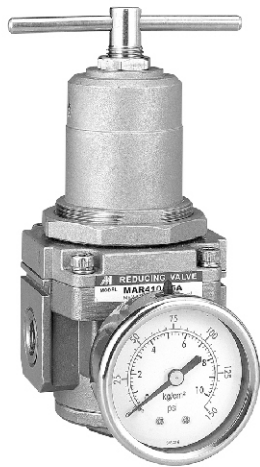
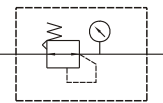


MAR410 series Stainless steel #316 type

AIR UNITS (R. UNIT)



Symbol:



Specification:

Model	MAR410		
Bore No.	10A	15A	20A
Port size	PT 3/8	PT 1/2	PT 3/4
Medium	Air		
Operating pressure range	0~9.9 kgf/cm ² (0~0.99 MPa)		
Proof pressure	15 kgf/cm ² (1.5 MPa)		
Regulated pressure range	0.5~8.5 kgf/cm ² (0.05~0.85 MPa)		
Ambient temperature	-5~+60°C (No freezing)		
Attachment	Pressure gauge		
Weight	1930 g		

Order example:

MAR410 – 15A – BSP

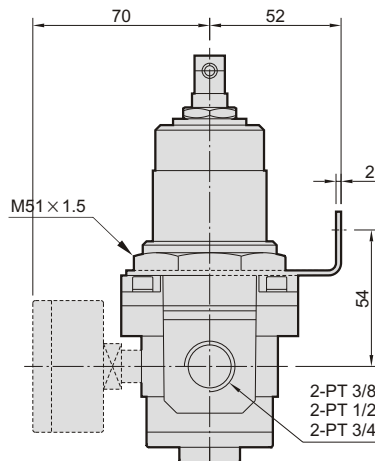
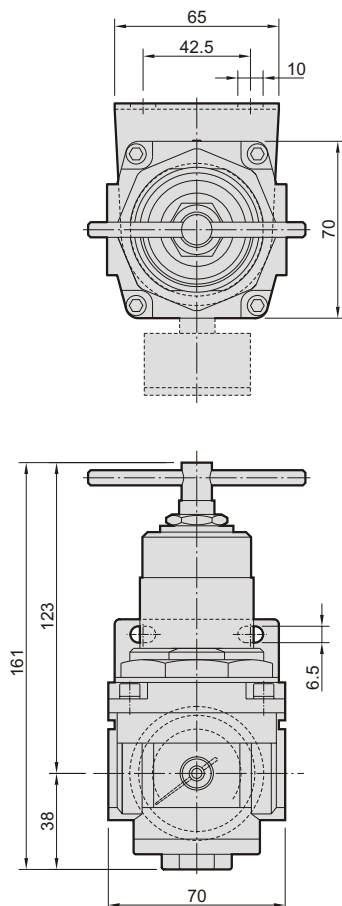
MODEL

BORE SIZE

10A: PT 3/8
15A: PT 1/2
20A: PT 3/4

PORT THREAD

Blank: PT thread
BSP: BSP thread
NPT: NPT thread



Flow feature :

