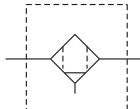


MAF300LD / M series

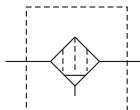
AIR UNITS (Mist / Micromist Filter)



Symbol:



D : 0.3 μm



M : 0.01 μm

Specification:

Model	MAF300LD/M	
Bore No.	8A	10A
Port size	PT 1/4	PT 3/8
Medium	Air	
Operating pressure range	0~9.9kgf/cm ² (0~0.99MPa)	
Proof pressure	15kgf/cm ² (1.5MPa)	
Ambient temperature	-5°C~+60°C (No freezing)	
Filter element	0.3 μm, 0.01 μm	
Weight	300g	

Order example:

MAF300LD — 8A — — BSP

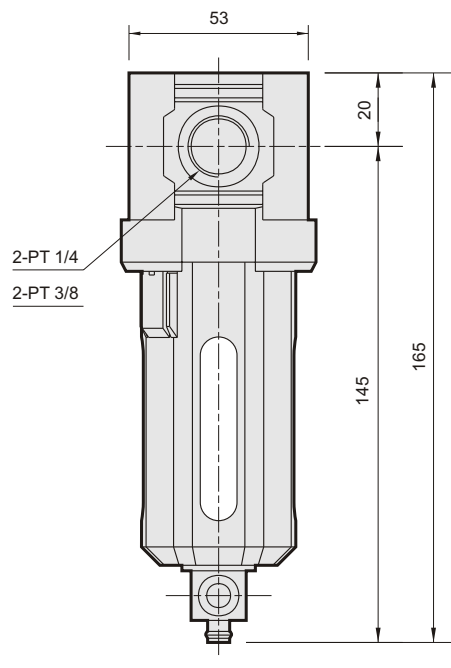
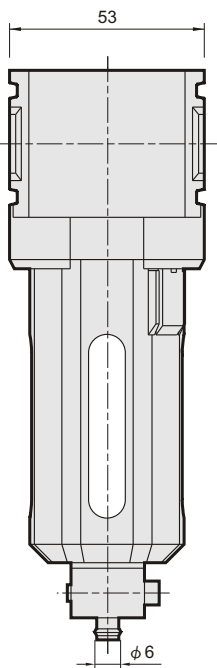
MODEL

BORE SIZE
8A: PT 1/4
10A: PT 3/8

D: Auto drain valve
(FMRF300)

PORT THREAD
Blank: PT thread
BSP: BSP thread
NPT: NPT thread

FILTER
ELEMENT
D: 0.3 μm
M: 0.01 μm



MAF300LD/M-D

Auto drain valve

Operating pressure range: 1.5~9.9 kgf/cm²

