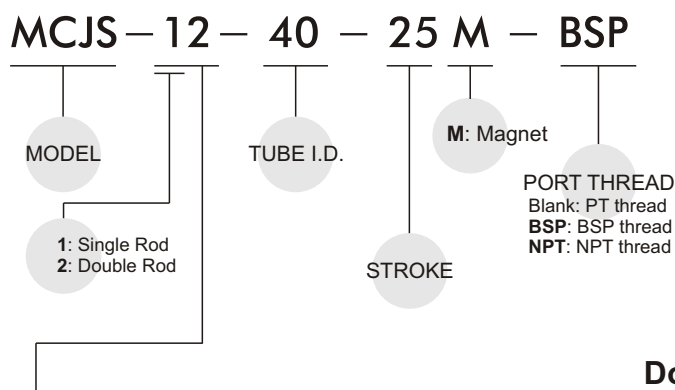


Features:

- Ultra Compact, light weight and space saving cylinder.
- Wide range of bore sizes and strokes (12mm~100mm).
- Single and double acting available.
- Ideal for use in machinery where space is limited and incorporating sensor groove which enables flush fitting of sensors.
- Sensor can be mounted on any one of three faces on 12 and 16 bore and on four faces on 20~100 bore.

Model	MCJS		
Tube I.D. (mm)	12, 16, 20, 25	32, 40	50, 63, 80, 100
Port size RC(Pt)	M5	PT 1/8	PT 1/4
Medium	Air		
Operating pressure range	0.5-9.9 kgf/cm ²		
Proof pressure	15 kgf/cm ²		
Ambient temperature	-5~+60°C (No freezing)		
Cushion	With rubber cushion pad		
Lubrication	Not required		
Sensor switch	RCE,RCE1	RCB,RCE,RCE1	

Order example:

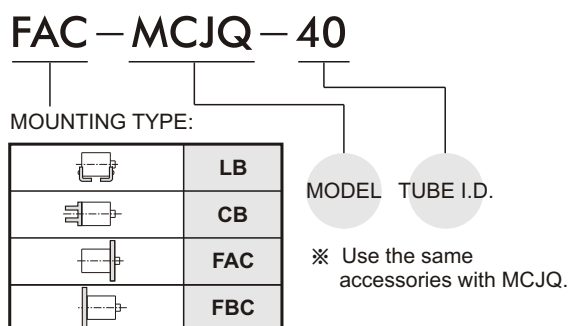


STYLE:

Code	Symbol	Description
1 1		Double acting / Male thread
1 2		Double acting / Female thread
1 3		Single acting / Normally extended Male thread
1 4		Single acting / Normally extended female thread
1 5		Single acting / Normally returned male thread
1 6		Single acting / Normally returned female thread

- ※ Please contact us for the dimensions of dual rod style.
- ※ Order example for special specification, refer to page H-03.

Mounting accessories:



Double acting - Table for standard stroke

Tube I.D.	Stroke (mm)	Max. stroke
φ 12	5, 10, 15, 20, 25, 30	65
φ 16	5, 10, 15, 20, 25, 30	70
φ 20, 25	5, 10, 15, 20, 25, 30, 35, 40, 45, 50	90
φ 32, 40	5, 10, 15, 20, 25, 30, 35, 40, 45, 50	110
φ 50~100	5, 10, 15, 20, 25, 30, 35, 40, 45, 50	130

- Stroke out of specification is also available.
- Please consult us if stroke out of specification.

Single acting - Table for standard stroke

Tube I.D.	Stroke (mm)
φ 12, 16, 20, 25, 32, 40	5, 10
φ 50	10, 20

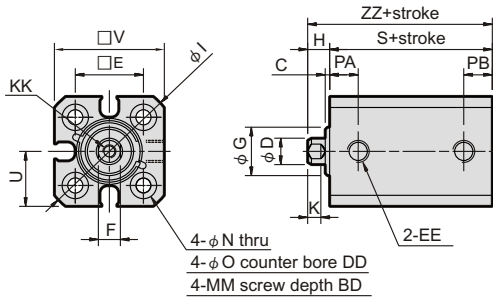
MCJS Dimensions $\phi 12 \sim \phi 100$

COMPACT CYLINDERS

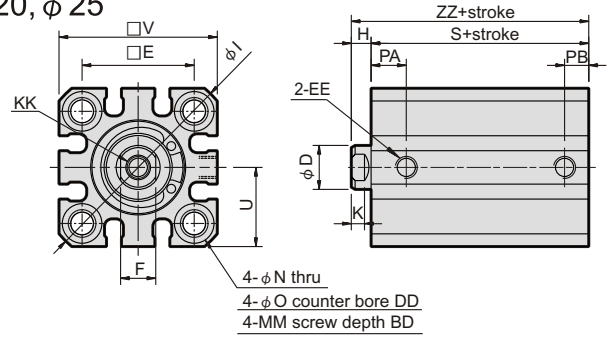


MCJS-12

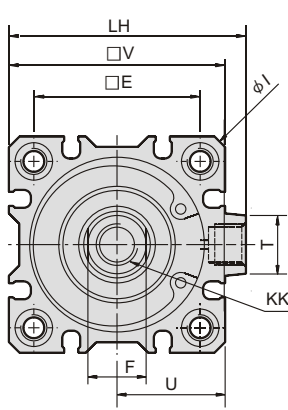
$\phi 12, \phi 16$



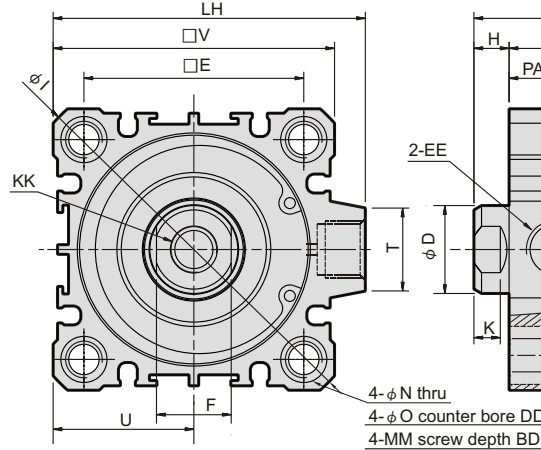
$\phi 20, \phi 25$



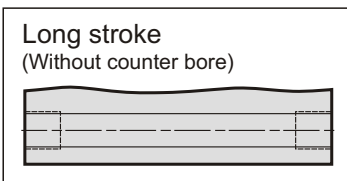
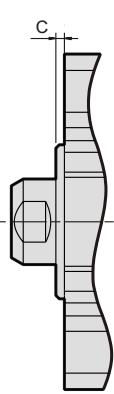
$\phi 32, \phi 40$



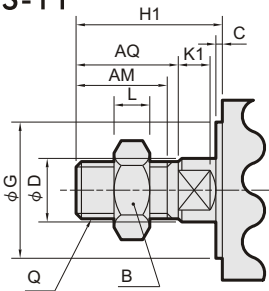
$\phi 50 \sim \phi 100$



$\phi 80, \phi 100$



MCJS-11



Code Tube I.D.	AM	AQ	B	H1	K1	L	Q
12	9	10.5	8	15.5	3	4	M5×0.8
16	9	10.5	8	15.5	3	4	M5×0.8
20	12	14	13	18.5	3	5	M8×1.25
25	15	17.5	17	22.5	3	6	M10×1.25
32	20.5	23.5	22	28.5	5	8	M14×1.5
40	20.5	23.5	22	28.5	5	8	M14×1.5
50	26	28.5	26	33.5	3	11	M18×1.5
63	26	28.5	26	33.5	3	11	M18×1.5
80	32.5	35.5	32	51	10	13	M22×1.5
100	32.5	35.5	35	55	14	14	M26×1.5

Outer size table

Code Tube I.D.	BD	C	D	DD	E	EE	F	G	H	I	K	KK	LH	MM	N	O	PA	PB	S(※1)	T	U	V	ZZ(※1)
12	7	1	6	3.5	15.5	M5×0.8	5	11 ⁰ _{-0.1}	5	32	3	M3×0.5 Screw depth 6	-	M4×0.7	3.5	6	6.5	6.5	22 (17)	-	12.5	25	27 (22)
16	7	1.5	6	3.5	20	M5×0.8	5	11 ⁰ _{-0.1}	5.5	38	3	M3×0.5 Screw depth 6	-	M4×0.7	3.5	6	7.2	7.2	28.5(18.5)	-	14.5	29	34 (24)
20	10	-	10	7	25.5	M5×0.8	8	-	4.5	47	3	M5×0.8 Screw depth 7	-	M6×1.0	5.5	9	9	5.5	29.5(19.5)	-	18	36	34 (24)
25	10	-	12	7	28	M5×0.8	10	-	5	52	3	M6×1.0 Screw depth 12	-	M6×1.0	5.5	9	11	5.5	32.5(22.5)	-	20	40	37.5(27.5)
32	10	-	16	7	34	PT 1/8(※2)	14	-	7	60	5	M8×1.25 Screw depth 13	49.5	M6×1.0	5.5	9	10.5	7.5	33 (23)	14	22.5	45	40 (30)
40	10	-	16	7	40	PT 1/8	14	-	7	70	7	M8×1.25 Screw depth 13	57	M6×1.0	5.5	9	11	8	39.5(29.5)	14	26	52	46.5(36.5)
50	14	-	20	8	50	PT 1/4(※3)	17	-	8	86	6	M10×1.5 Screw depth 15	71	M8×1.25	6.6	11	10.5	10.5	40.5(30.5)	19	32	64	48.5(38.5)
63	18	-	20	10.5	60	PT 1/4(※4)	17	-	8	103	6	M10×1.5 Screw depth 15	84	M10×1.5	9	14	15	10.5	46 (36)	19	38.5	77	54 (44)
80	22	2.5	25	13.5	77	PT 1/4	22	45 ⁰ _{-0.1}	15.5	132	10	M16×2 Screw depth 21	104	M12×1.75	11	17.5	20	12	52 (42)	26	49	98	67.5(57.5)
100	22	2.5	30	13.5	94	PT 1/4	27	50 ⁰ _{-0.1}	19.5	156	14	M20×2.5 Screw depth 27	123.5	M12×1.75	11	17.5	22	13	57.5(47.5)	26	58.5	117	77 (67)

※1: S()and ZZ()indicate the size of that without magnet ring.

※3:Without magnet with stroke=5mm, EE=PT1/8, PA=12, PB=8

※2:Without magnet with stroke=5mm, EE=M5×0.8, PA=11.5, PB=5.5

※4:Without magnet with stroke=5mm, EE=PT1/8

MCJS Mounting accessories / Double acting $\phi 12 \sim \phi 25$

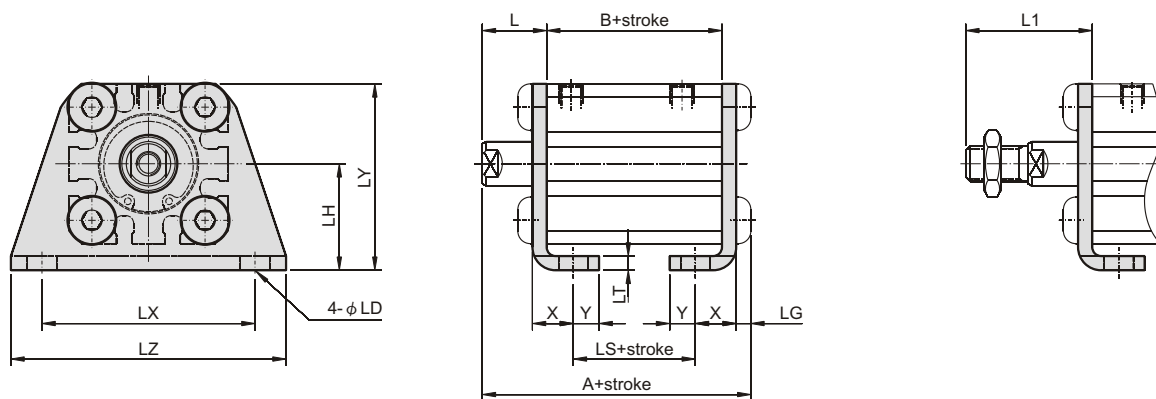
COMPACT CYLINDERS



LB

Female thread

Male thread

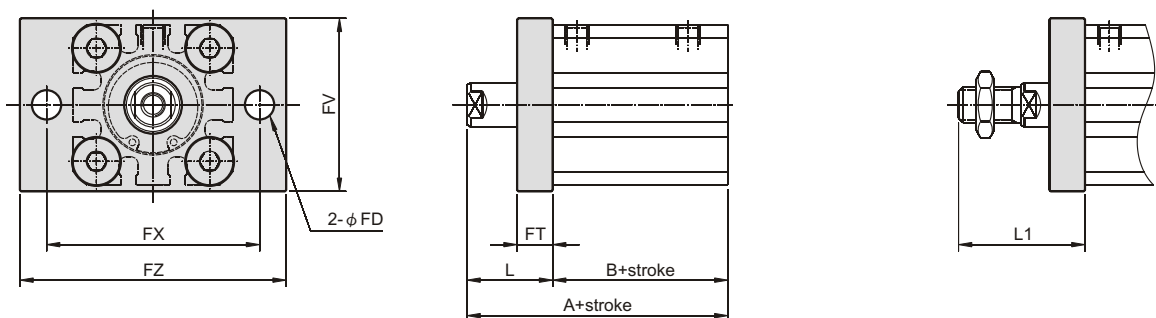


Code Tube I.D.	Without magnet			Magnet			L	L1	LD	LG	LH	LT	LX	LY	LZ	X	Y
	A	B	LS	A	B	LS											
12	36.8	17	5	41.8	22	10	15	25.5	4.5	2.8	17	2	34	29.5	44	8	4.5
16	38.8	18.5	6.5	48.8	28.5	16.5	15.5	25.5	4.5	2.8	19	2	38	33.5	48	8	5
20	41.2	19.5	7.5	51.2	29.5	17.5	14.5	28.5	6.6	4	24	3.2	48	42	62	9.2	5.8
25	44.7	22.5	7.5	54.7	32.5	17.5	15	32.5	6.6	4	26	3.2	52	46	66	10.7	5.8

FAC

Female thread

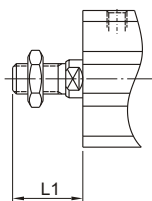
Male thread



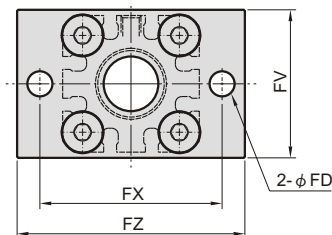
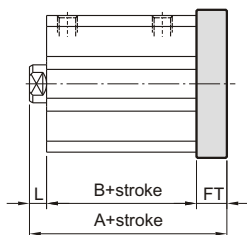
Code Tube I.D.	Without magnet		Magnet		FD	FT	FV	FX	FZ	L	L1
	A	B	A	B							
12	32	17	37	22	4.5	5.5	25	45	55	15	25.5
16	34	18.5	44	28.5	4.5	5.5	30	45	55	15.5	25.5
20	34	19.5	44	29.5	6.6	8	39	48	60	14.5	28.5
25	37.5	22.5	47.5	32.5	6.6	8	42	52	64	15	32.5

FBC

Male thread



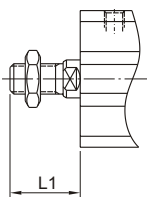
Female thread



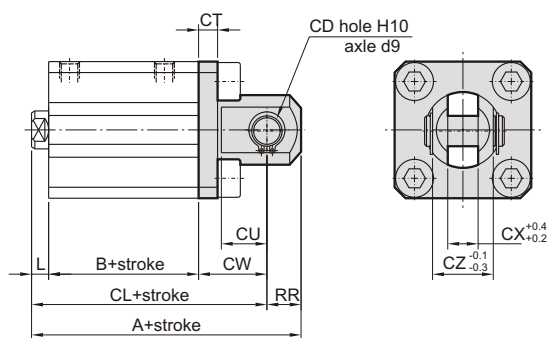
Code Tube I.D.	Without magnet		Magnet		FD	FT	FV	FX	FZ	L	L1
	A	B	A	B							
12	27.5	17	32.5	22	4.5	5.5	25	45	55	5	15.5
16	29.5	18.5	39.5	28.5	4.5	5.5	30	45	55	5.5	15.5
20	32	19.5	42	29.5	6.6	8	39	48	60	4.5	18.5
25	35.5	22.5	45.5	32.5	6.6	8	42	52	64	5	22.5

CB

Male thread



Female thread



※Use the same CB pin with MCJQ.

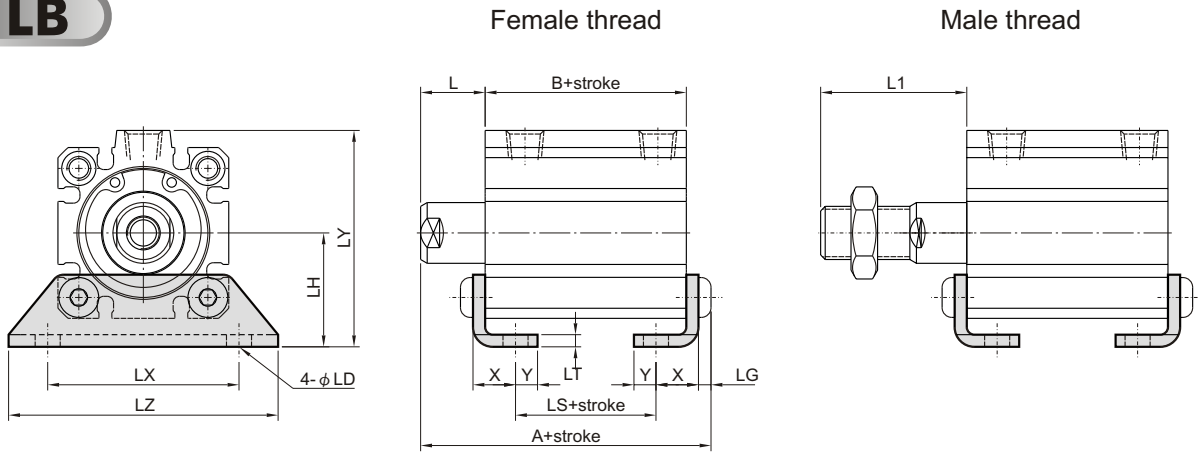
Code Tube I.D.	Without magnet			Magnet			CD	CT	CU	CW	CX	CZ	L	L1	RR
	A	B	CL	A	B	CL									
12	42	17	36	47	22	41	5	4	7	14	5	10	5	15.5	6
16	45	18.5	39	55	28.5	49	5	4	10	15	6.5	12	5.5	15.5	6
20	51	19.5	42	61	29.5	52	8	5	12	18	8	16	4.5	18.5	9
25	57.5	22.5	47.5	67.5	32.5	57.5	10	5	14	20	10	20	5	22.5	10

MCJS Mounting accessories / Double acting $\phi 32\sim\phi 100$

COMPACT CYLINDERS

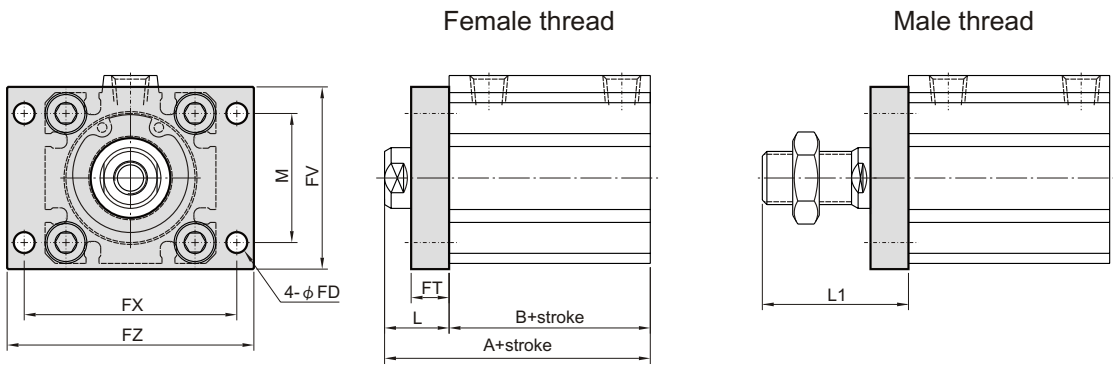


LB



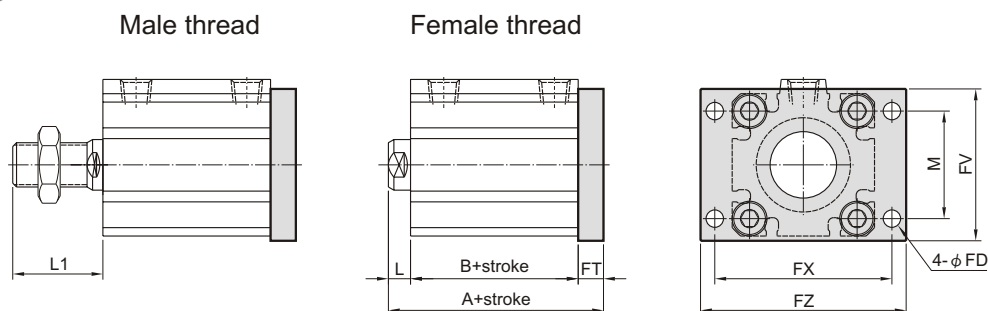
Code Tube I.D.	Without magnet			Magnet			L	L1	LD	LG	LH	LT	LX	LY	LZ	X	Y
	A	B	LS	A	B	LS											
32	47.2	23	7	57.2	33	17	17	38.5	6.6	4	30	3.2	57	57	71	11.2	5.8
40	53.7	29.5	13.5	63.7	39.5	23.5	17	38.5	6.6	4	33	3.2	64	64	78	11.2	7
50	56.7	30.5	7.5	66.7	40.5	17.5	18	43.5	9	5	39	3.2	79	78	95	14.7	8
63	62.2	36	10	72.2	46	20	18	43.5	11	5	46	3.2	95	91.5	113	16.2	9
80	79	42	12	89	52	22	25.5	61	13	7	59	4.5	118	114	140	19.5	11
100	90	47.5	13.5	100	57.5	23.5	29.5	65	13	7	71	6	137	136	162	23	12.5

FAC



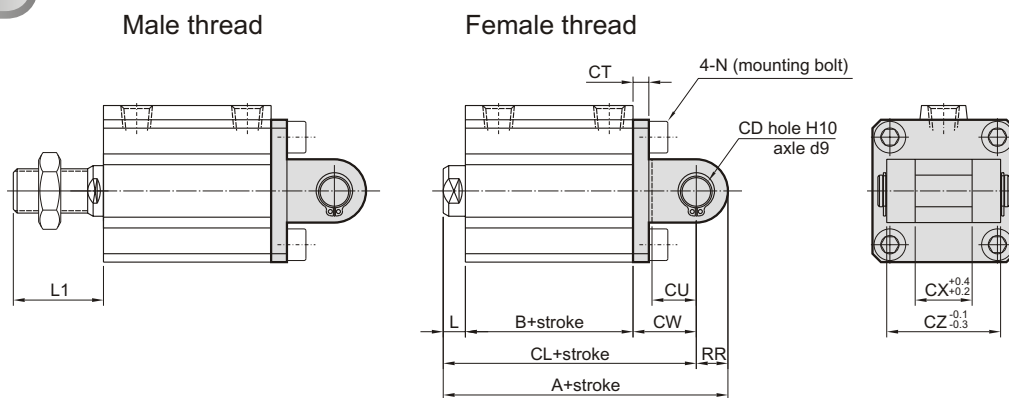
Code Tube I.D.	Without magnet		Magnet		FD	FT	FV	FX	FZ	L	L1	M
	A	B	A	B								
32	40	23	50	33	5.5	8	48	56	65	17	38.5	34
40	46.5	29.5	56.5	39.5	5.5	8	54	62	72	17	38.5	40
50	48.5	30.5	58.5	40.5	6.6	9	67	76	89	18	43.5	50
63	54	36	64	46	9	9	80	92	108	18	43.5	60
80	67.5	42	77.5	52	11	11	99	116	134	25.5	61	77
100	77	47.5	87	57.5	11	11	117	136	154	29.5	65	94

FBC



Code Tube I.D.	Without magnet		Magnet		FD	FT	FV	FX	FZ	L	L1	M
	A	B	A	B								
32	38	23	48	33	5.5	8	48	56	65	7	28.5	34
40	44.5	29.5	54.5	39.5	5.5	8	54	62	72	7	28.5	40
50	47.5	30.5	57.5	40.5	6.6	9	67	76	89	8	33.5	50
63	53	36	63	46	9	9	80	92	108	8	33.5	60
80	68.5	42	78.5	52	11	11	99	116	134	15.5	51	77
100	78	47.5	88	57.5	11	11	117	136	154	19.5	55	94

CB



※Use the same CB pin with MCJQ.

Code Tube I.D.	Without magnet			Magnet			CD	CT	CU	CW	CX	CZ	L	L1	N	RR
	A	B	CL	A	B	CL										
32	60	23	50	70	33	60	10	5	14	20	18	36	7	28.5	M6×1.0	10
40	68.5	29.5	58.5	78.5	39.5	68.5	10	6	14	22	18	36	7	28.5	M6×1.0	10
50	80.5	30.5	66.5	90.5	40.5	76.5	14	7	20	28	22	44	8	33.5	M8×1.25	14
63	88	36	74	98	46	84	14	8	20	30	22	44	8	33.5	M10×1.5	14
80	113.5	42	95.5	123.5	52	105.5	18	10	27	38	28	56	15.5	51	M12×1.75	18
100	134	47.5	112	144	57.5	122	22	13	31	45	32	64	19.5	55	M12×1.75	22